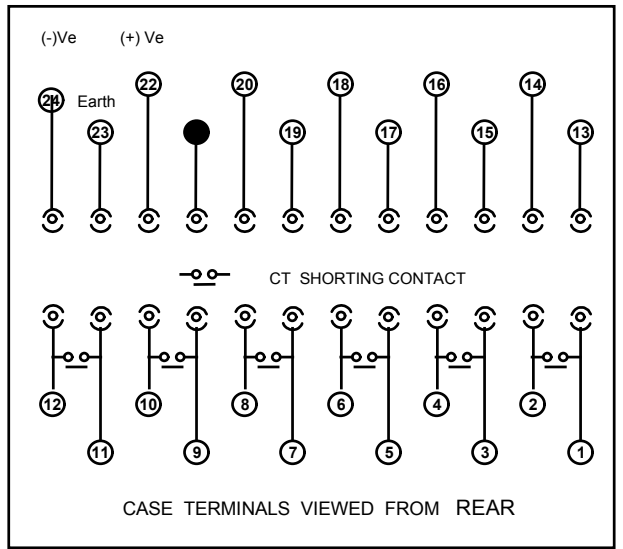
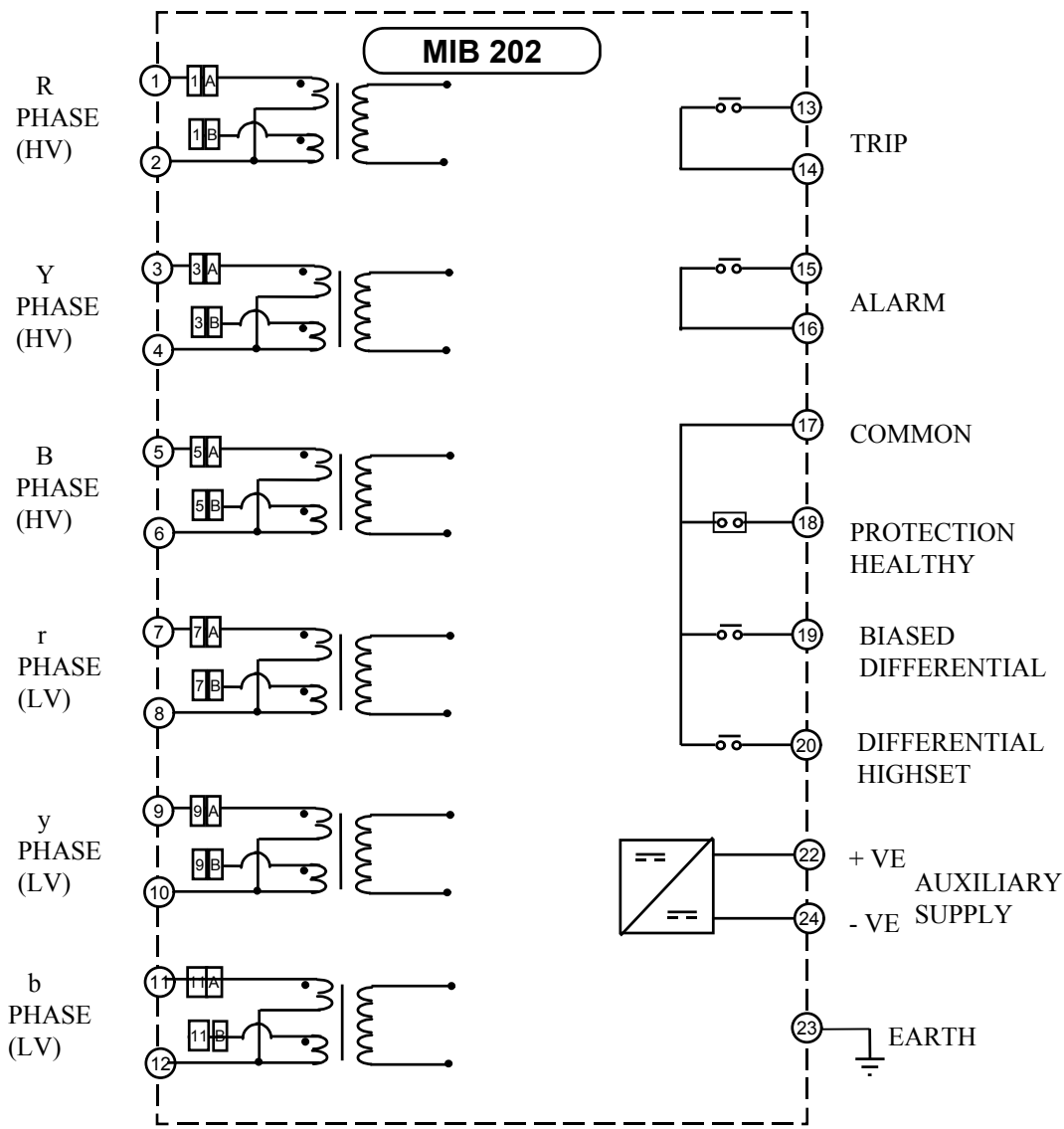


EASUN REYROLLE LTD.
CONTROLLED COPY
 ISSUED BY SPBD-PS



Note :

- CT Circuits are shown connected to Relay 1A tap. For 5A tap remove **1A 3A 5A 7A 9A 11A** wires and connect **1B 3B 5B 7B 9B 11B** wires to terminal numbers 1,3,5,7,9 & 11 respectively. unused current terminals are fitted parking rack in the terminal block in the backside of the chassis.
- Terminal No.23 (Earth) is to be connected directly to earthbar.

WIRING DIAGRAM FOR MIB 202 RELAY

Drawing No. :- **8662W20001**



**EASUN REYROLLE LIMITED,
 HOSUR, INDIA.**

REVISION	No.	Sig.	DATE	No.	Sig.	DATE	No.	Sig.	DATE	DATE

20.07.2003
 DRAWN **K.VETRIVEL**
 CHECKED **G.ILANGO**
 APPROVED

SUPERSEDES