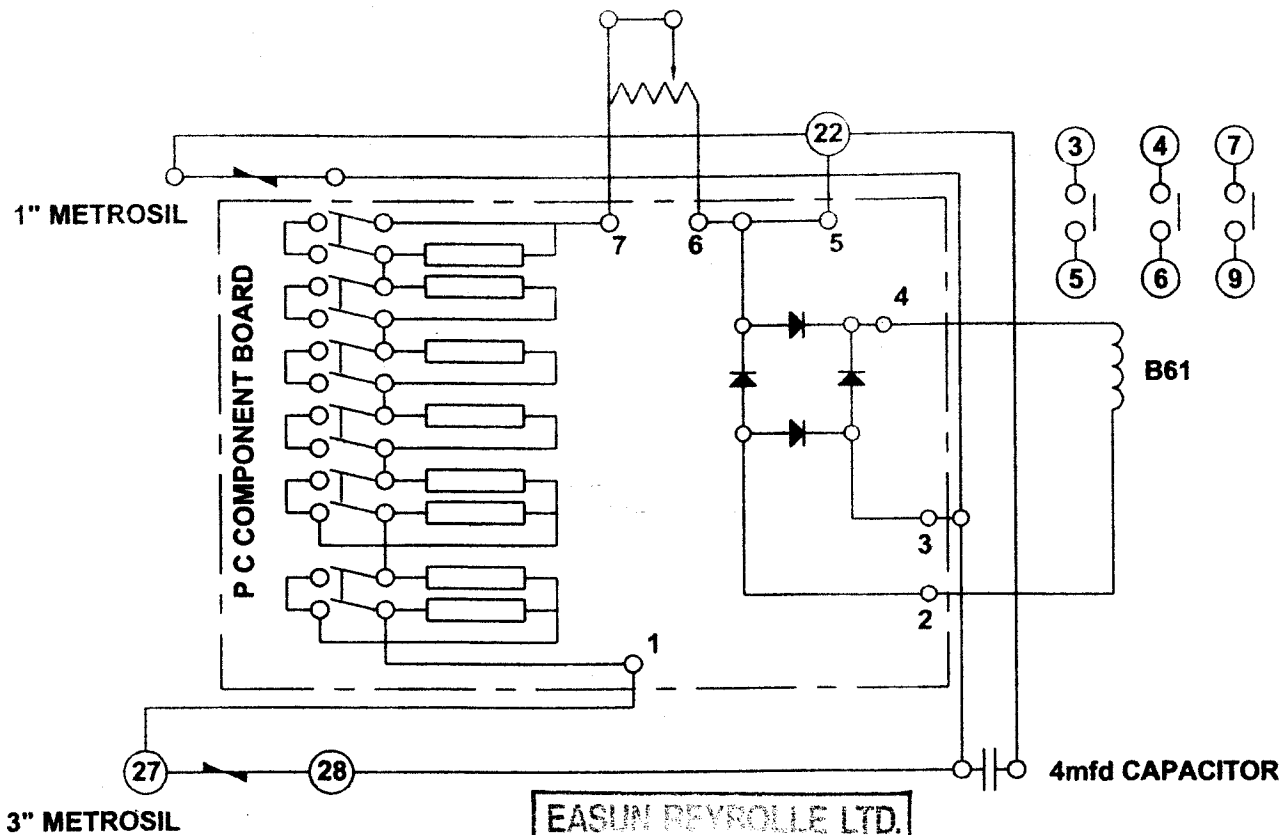


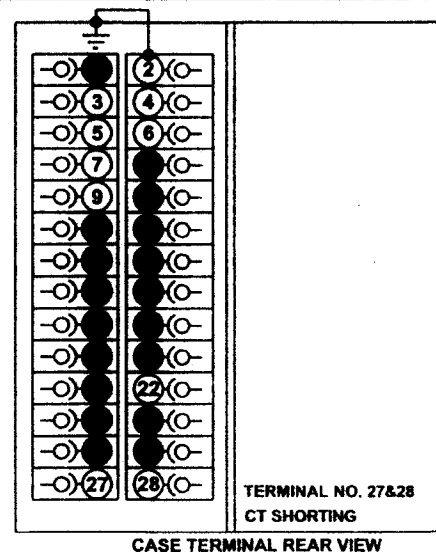
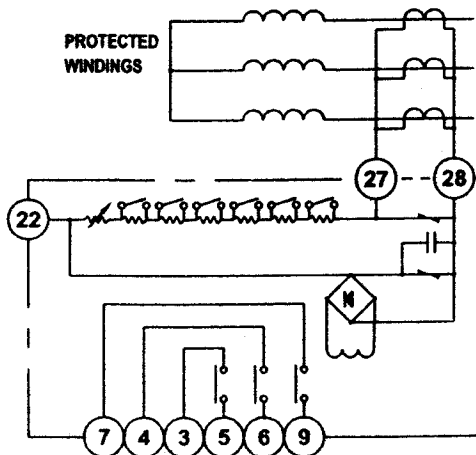
LOOKING ON FRONT OF RELAY



EASUN REYROLLE LTD.
 CONTROLLED COPY
 ISSUED BY SPBD-PS

- H/R MAKE CONTACT - M
- H/R BREAK CONTACT - B
- C/O CONTACT
- METERING POINT
- PLUG BRIDGE SHORTING
- EXTERNAL CONNECTION
- UNUSED CONNECTION
- 5 KV BARRIER
- TEST SOCKET SHORTING
- PLUG AND SOCKET

TYPICAL SCHEMATIC FOR PHASE TO EARTH FAULT PROTECTION OF A.C. WINDINGS



WIRING DIAGRAM FOR 5B3 RELAY IN EPSILON CASE

REV.	No.	SIG. DATE	No.	SIG. DATE	No.	SIG. DATE	No.	SIG. DATE	DATE	07-08-2008	DRAWN	
1			2		3		4		CHECKED		APPROVED	<i>[Signature]</i>



EASUN REYROLLE LTD.,
 HOSUR, TAMIL NADU,
 INDIA.

SIMILAR DWG :

8320W00004