

EASUN REYROLLE LTD.

CONTROLLED COPY  
(IF IN RED)

ISSUED BY CTS

LOOKING ON FRONT OF RELAY

TOP ELEMENT

1" METROSIL

P.C COMPONENT BOARD

B61

4mfd CAPACITOR

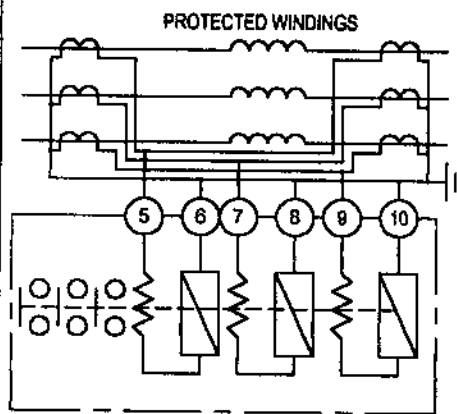
MIDDLE ELEMENT

SAME AS TOP ELEMENT

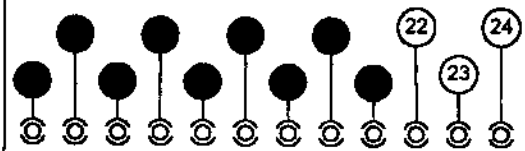
BOTTOM ELEMENT

SAME AS TOP ELEMENT

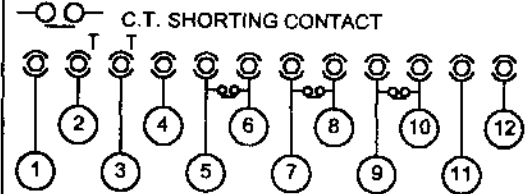
- MAKE CONTACT
- BREAK CONTACT
- C/O CONTACT
- METERING POINT
- PLUG BRIDGE SHORTING
- EXTERNAL CONNECTION
- UNUSED CONNECTION
- 5 KV BARRIER
- TEST SOCKET SHORTING
- PLUG AND SOCKET



TYPICAL SCHEMATIC PH/PH&R/H/EF PROTECTION FOR CONTACTS SEE ABOVE



T INDICATES TRIP CIRCUIT ISOLATION CONTACTS



CASE TERMINALS

## WIRING DIAGRAM FOR 3 POLE 5B3 RELAY IN 2V CASE

REV.	No.	SIG.	DATE	No.	SIG.	DATE	No.	SIG.	DATE	DATE	30.04.2003	DRAWN	V. Subraj	SUPERSEDES
											CHECKED	V. Subraj	APPROVED	



EASUN REYROLLE LTD.,  
HOSUR, TAMIL NADU,  
INDIA.

8320W00003