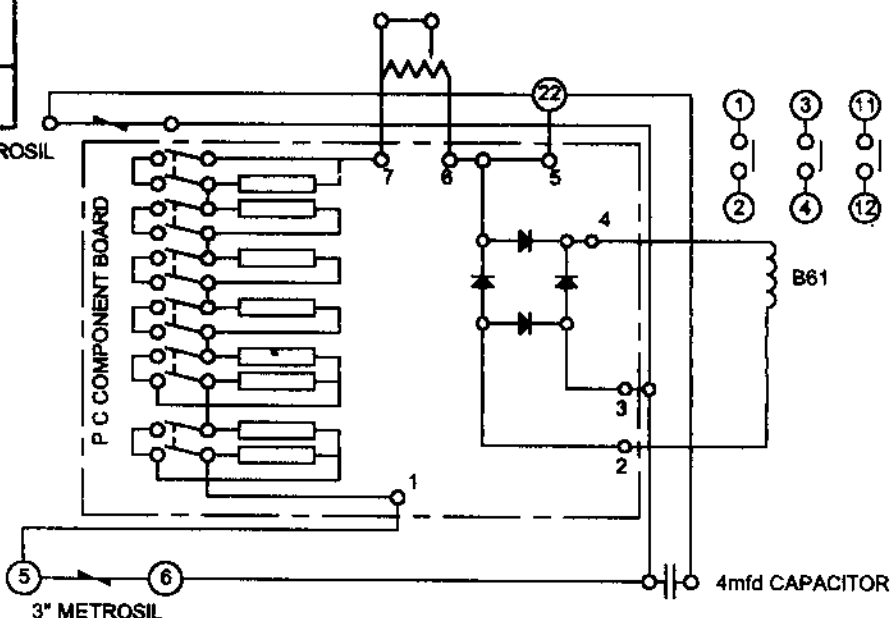


LOOKING ON FRONT OF RELAY

TOP ELEMENT

1" METROSIL

P.C COMPONENT BOARD



MIDDLE ELEMENT



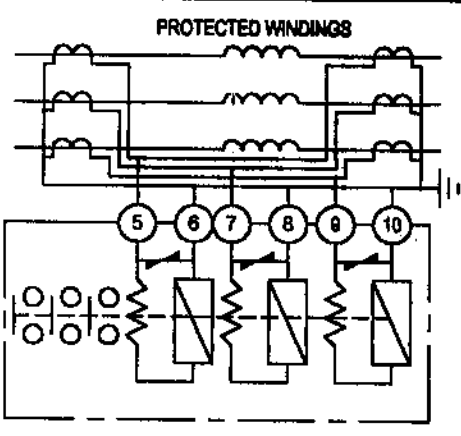
SAME AS TOP ELEMENT

BOTTOM ELEMENT

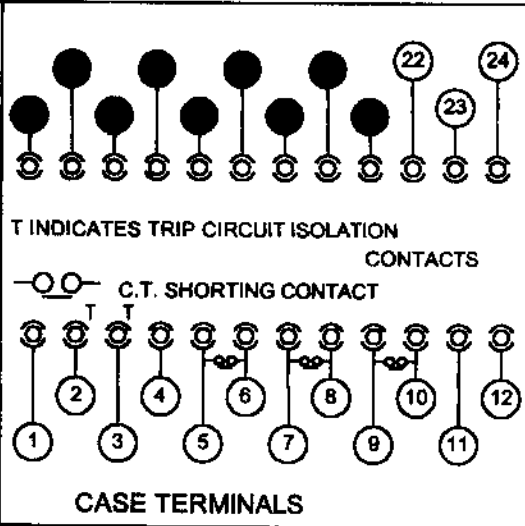


SAME AS TOP ELEMENT

- MAKE CONTACT
- BREAK CONTACT
- C/O CONTACT
- METERING POINT
- PLUG BRIDGE
- SHORTING
- EXTERNAL CONNECTION
- UNUSED CONNECTION
- 5 KV BARRIER
- TEST SOCKET
- PLUG AND SOCKET



TYPICAL SCHEMATIC PH/PH&R/VEF PROTECTION
FOR CONTACTS SEE ABOVE



WIRING DIAGRAM FOR 3 POLE 5B3 RELAY IN 2V CASE

REV.	No.	SIG. DATE	No.	SIG. DATE	No.	SIG. DATE	DATE	10.11.2001	DRAWN	V. Subraj	SUPERSEDES
1	20/10/01	SUPPLY TERMINALS SHOWN WRONGLY ARE CORRECTED.	2	CONNECTION TERMINAL BETWEEN CAPACITOR & TER. NO.3 WAS MISSING			CHECKED	V. Subraj	APPROVED	G. ALY.	